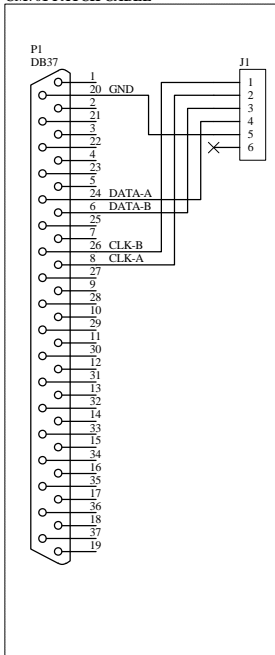
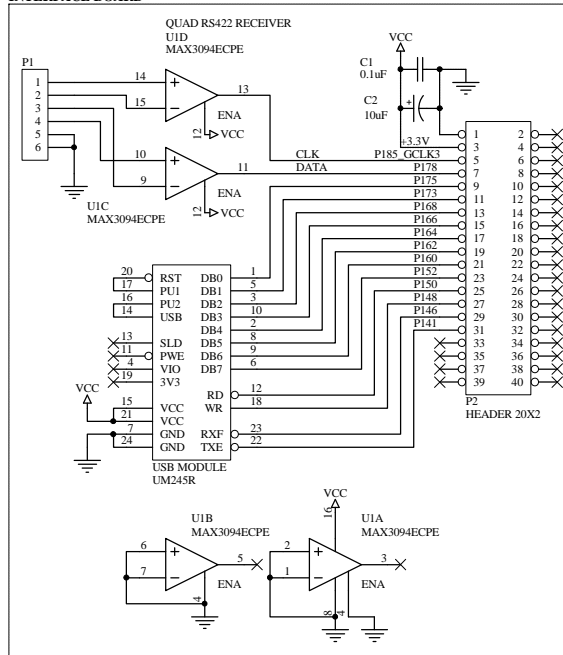


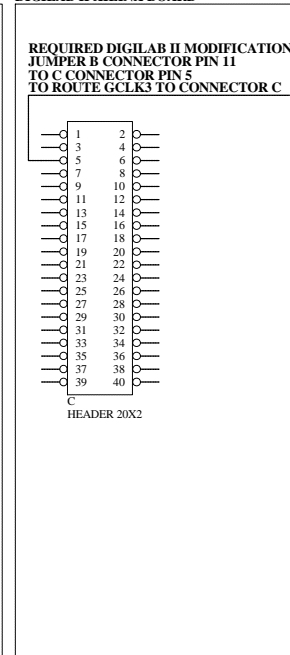
CM701 PATCH CABLE



INTERFACE BOARD



DIGILAB II XILINX BOARD



Title			DIGILAB II SPARTAN-II DEMO BOARD LRIT INTERFACE		
Size	Number	Revision			
B		A			
Date:	21-Apr-2008	Sheet 1 of 1			
File:	C:\Lrit\LRIT.ddb	Drawn By: ED MURASHIE			